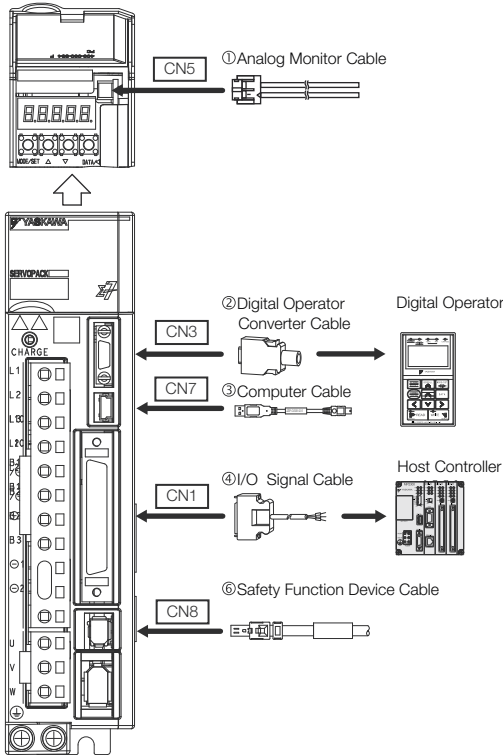


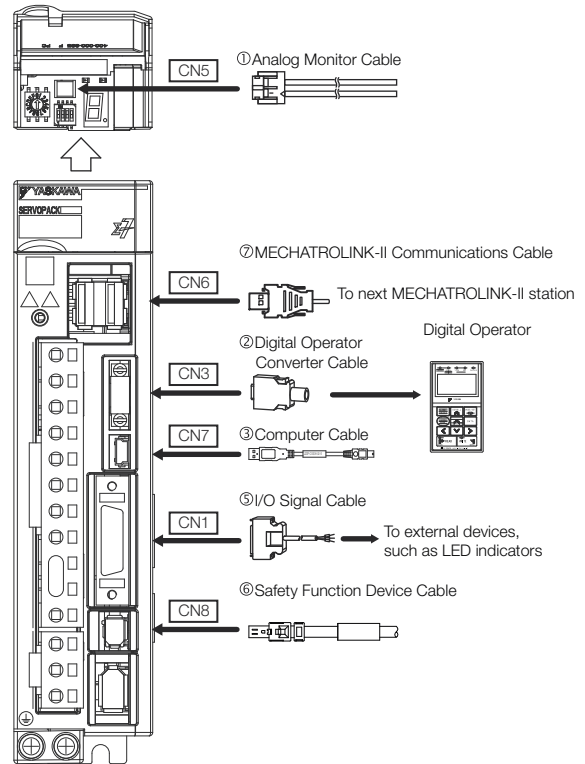
# Cables for SERVOPACKs

## System Configurations

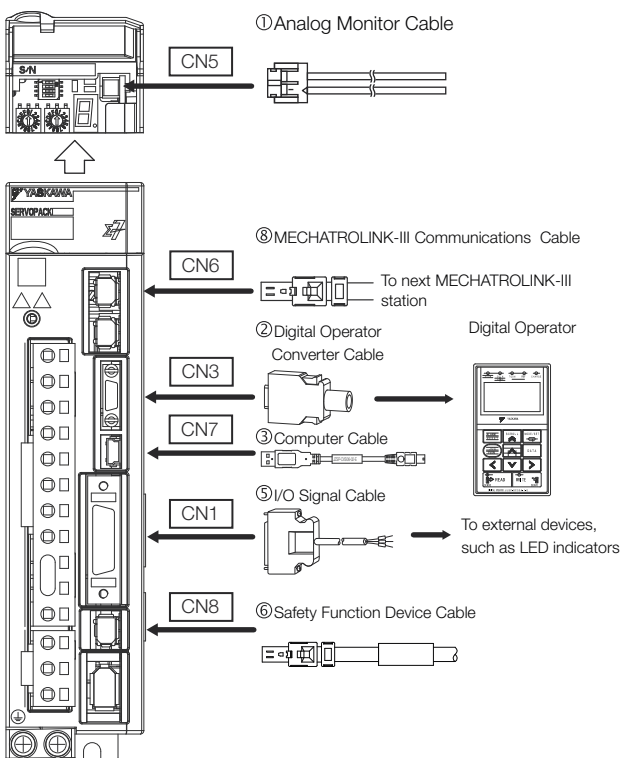
Sigma-7S Single-axis Analog Voltage/Pulse Train Reference SERVOPACKs



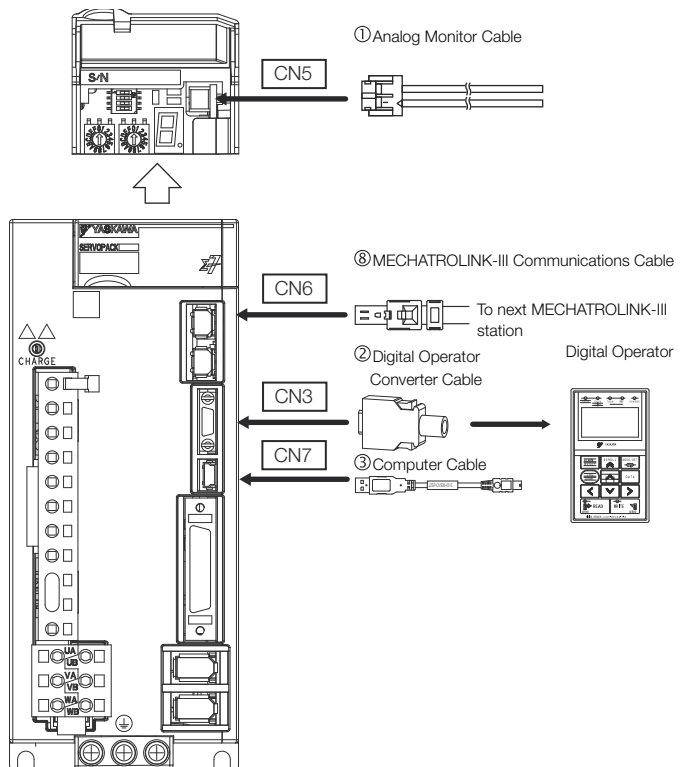
Sigma-7S Single-axis MECHATROLINK-II Communications Reference SERVOPACKs



Sigma-7S Single-axis MECHATROLINK-III Communications Reference SERVOPACKs



Sigma-7W Dual-axis MECHATROLINK-III Communications Reference SERVOPACKs



## Cables for SERVOPACKs



Important

1. Use the cable specified by Yaskawa for the Computer Cable. Operation may not be dependable with any other cable.
2. Use the cable specified by Yaskawa for the MECHATROLINK Communications Cables.

Note: Refer to the following manual for the following information.


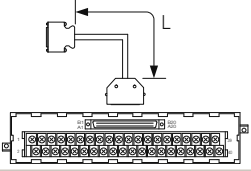
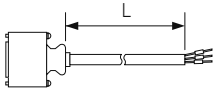
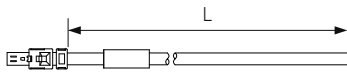

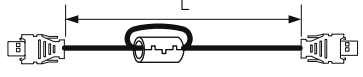

Cable dimensional drawings and cable connection specifications

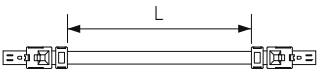
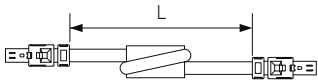
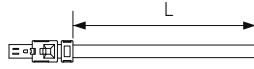
Order numbers and specifications of individual connectors for cables

Sigma-7-Series AC Servo Drive Peripheral Device Selection Manual (Manual No.: SIEP S800001 32)

Code	Name		Length (L)	Order Number	Appearance
①	Analog Monitor Cable		1 m	JZSP-CA01-E	
②	Digital Operator Converter Cable		0.3 m	JZSP-CVS05-A3-E <sup>1</sup>	
				JZSP-CVS07-A3-E <sup>2</sup>	
③	Computer Cable		2.5 m	JZSP-CVS06-02-E	
④	Soldered Connector Kit			JZSP-CVMCA12-20-E-G5	
	I/O Signal Cables	Connector-Terminal Block Converter Unit (with cable)	0.5 m	JUSP-TA50PG-E	
			1 m	JUSP-TA50PG-1-E	
			2 m	JUSP-TA50PG-2-E	
	I/O Signal Cables	Cable with Loose Wires at One End (loose wires on peripheral device end)	1 m	JZSP-CSI01-1-E	
			2 m	JZSP-CSI01-2-E	
			3 m	JZSP-CSI01-3-E	
⑤	Soldered Connector Kit			JZSP-CSI9-2-E	
	I/O Signal Cables	Connector-Terminal Block Converter Unit (with cable)	0.5 m	JUSP-TA26P-E	
			1 m	JUSP-TA26P-1-E	
			2 m	JUSP-TA26P-2-E	
	I/O Signal Cables	Cable with Loose Wires at One End (loose wires on peripheral device end)	1 m	JZSP-CSI02-1-E	
			2 m	JZSP-CSI02-2-E	
			3 m	JZSP-CSI02-3-E	

## Cables for SERVOPACKs

Code	Name	Length (L)	Order Number	Appearance	
⑥	I/O Signal Cables	Soldered Connector Kit	DP9420007-E		
		Connector-Terminal Block Converter Unit (with cable)	0.5 m	JUSP-TA36P-E	
			1 m	JUSP-TA36P-1-E	
			2 m	JUSP-TA36P-2-E	
		Cable with Loose Wires at One End (loose wires on peripheral device end)	0.3 m	JZSP-CSI03-1-E	
			2 m	JZSP-CSI03-2-E	
			3 m	JZSP-CSI03-3-E	
⑦	Safety Function Device Cable	Cables with Connectors <sup>3</sup>	1 m	JZSP-CVH03-01-E	
			3 m	JZSP-CVH03-03-E	
		Connector Kit <sup>4</sup>	Contact Tyco Electronics Japan G.K. Product name: Industrial Mini I/O D-shape Type 1 Plug Connector Kit Model number: 2013595-1		
⑧	MECHATRO-LINK-II Communications Cables	Cables with Connectors on Both Ends	0.5 m	JEPMC-W6002-A5-E	
			1 m	JEPMC-W6002-01-E	
			3 m	JEPMC-W6002-03-E	
			5 m	JEPMC-W6002-05-E	
			10 m	JEPMC-W6002-10-E	
			20 m	JEPMC-W6002-20-E	
			30 m	JEPMC-W6002-30-E	
			40 m	JEPMC-W6002-40-E	
		Cables with Connectors on Both Ends (with ferrite cores)	0.5 m	JEPMC-W6003-A5-E	
			1 m	JEPMC-W6003-01-E	
			3 m	JEPMC-W6003-03-E	
			5 m	JEPMC-W6003-05-E	
			10 m	JEPMC-W6003-10-E	
			20 m	JEPMC-W6003-20-E	
	Terminators			JEPMC-W6022-E	

Code	Name	Length (L)	Order Number	Appearance	
⑨	MECHATROLINK-III Communications Cables	Cables with Connectors on Both Ends	0.2 m	JEPMC-W6012-A2-E	
			0.5 m	JEPMC-W6012-A5-E	
			1 m	JEPMC-W6012-01-E	
			2 m	JEPMC-W6012-02-E	
			3 m	JEPMC-W6012-03-E	
			4 m	JEPMC-W6012-04-E	
			5 m	JEPMC-W6012-05-E	
			10 m	JEPMC-W6012-10-E	
			20 m	JEPMC-W6012-20-E	
			30 m	JEPMC-W6012-30-E	
			50 m	JEPMC-W6012-50-E	
		Cables with Connectors on Both Ends (with Core)	10 m	JEPMC-W6013-10-E	
			20 m	JEPMC-W6013-20-E	
			30 m	JEPMC-W6013-30-E	
			50 m	JEPMC-W6013-50-E	
		Cable with Loose Wires at One End	0.5 m	JEPMC-W6014-A5-E	
			1 m	JEPMC-W6014-01-E	
			3 m	JEPMC-W6014-03-E	
			5 m	JEPMC-W6014-05-E	
			10 m	JEPMC-W6014-10-E	
			30 m	JEPMC-W6014-30-E	
50 m	JEPMC-W6014-50-E				

\*1. This Converter Cable is required to use the Sigma-III-series Digital Operator (JUSP-OP05A) for Sigma-7-series SERVOPACKs.

\*2. If you use a MECHATROLINK-III Communications Reference SERVOPACK, this Converter Cable is required to prevent the cable from disconnecting from the Digital Operator.

\*3. When using safety functions, connect this Cable to the safety function devices. When not using safety functions, connect the enclosed Safety Jumper Connector to the SERVOPACK.

\*4. Use the Connector Kit when you make cables yourself.